

## AS190-9-251\*

### CELL ALUMINIUM-SANDWICH BASS

The **AS190-9-251** is an 8 inch bass driver with **ALUMINUM HONEYCOMB SANDWICH DOME**, being the first in an entirely new approach to accuton speaker design. An ideal acoustical center has been achieved, which is identical with our **CELL** tweeters and midranges. Its novel designed overhung motor combines the advantages of traditional over- and underhung designs, delivering high linear excursion and ultra low distortion. An exceptionally hard aluminum sandwich dome was developed for the **CELL** bass drivers that allows for negligible delay and energy storage. The hidden surround serves for reduced outer diameter and linear excursion of +/- 16mm. A new developed spider shape makes huge excursion without compression possible.

We recommend our **AS190-9-251** for an application from 30 Hz – 1000 Hz.

Wir empfehlen unseren **AS190-9-251** für die Anwendung von 30 Hz - 1000 Hz.

#### VENTED BOX DESIGN PARAMETERS

Vb: 24L, Port Durchmesser: 70mm, Länge: 300mm, Fres: 36Hz, F-3dB: 36Hz, Q: 0.58 (optimal)

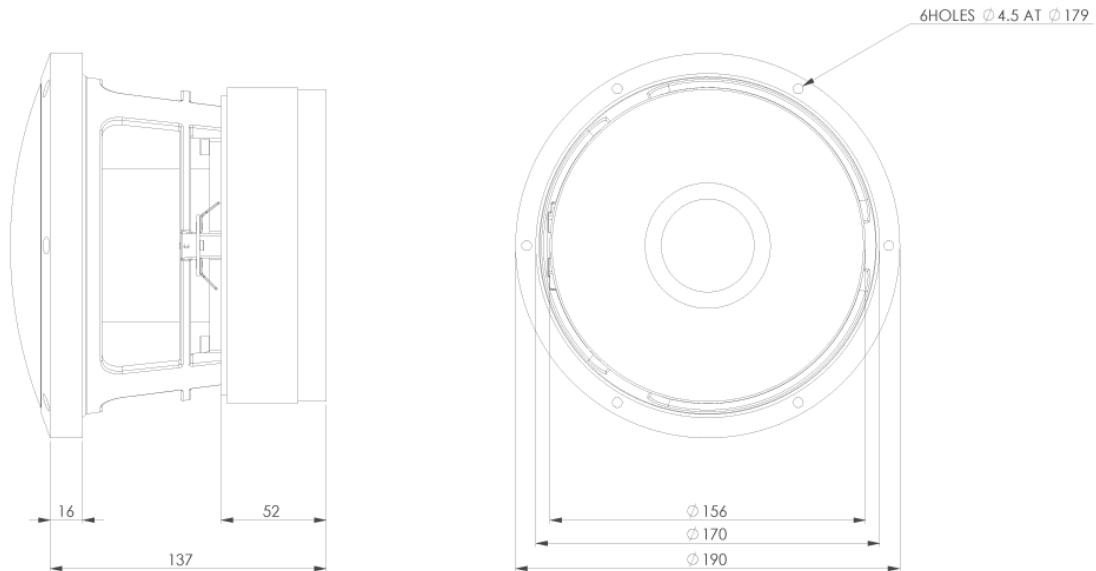
Vb: 35L, Port Durchmesser: 70mm, Länge: 245mm, Fres: 33Hz, F-3dB: 30Hz, Q: 0.50 (extendedBass)

#### CLOSED BOX DESIGN PARAMETERS

Vb: 11L, -9dB @ 40Hz, F-3dB: 63Hz, Q: 0.71 (optimal)

Vb: 35L, -7dB @ 40Hz, F-3dB: 70Hz, Q: 0.50 (extended Bass)

\* also available as 4  $\Omega$  Version



OVERALL DEPTH	137 MM
MOTOR ASSEMBLY DEPTH	52 MM
MOTOR ASSEMBLY DIAMETER	156 MM

**MAIN FEATURES**

- Full featured cell concept
- Ideal acoustic center
- No compression design
- Proprietary motor system
- 35 HZ - 1000 HZ in vented Box

**MECHANICAL DATA**

Specification	Value	Unit
Overall diameter	190	mm
Cutout diameter	170	mm
Min. frontplate thickness	16	mm
Overall depth	137	mm
Motor assembly depth	52	mm
Motor assembly diameter	156	mm
Screwfitting	DIN 7984 / Ø 4.50	mm
Terminal	+: 6.3 x 0.8 / -: 4.8 x 0.8	mm
Shipping weight (pair)	14	Kg
Shipping box size (pair)	245/440/245	mm

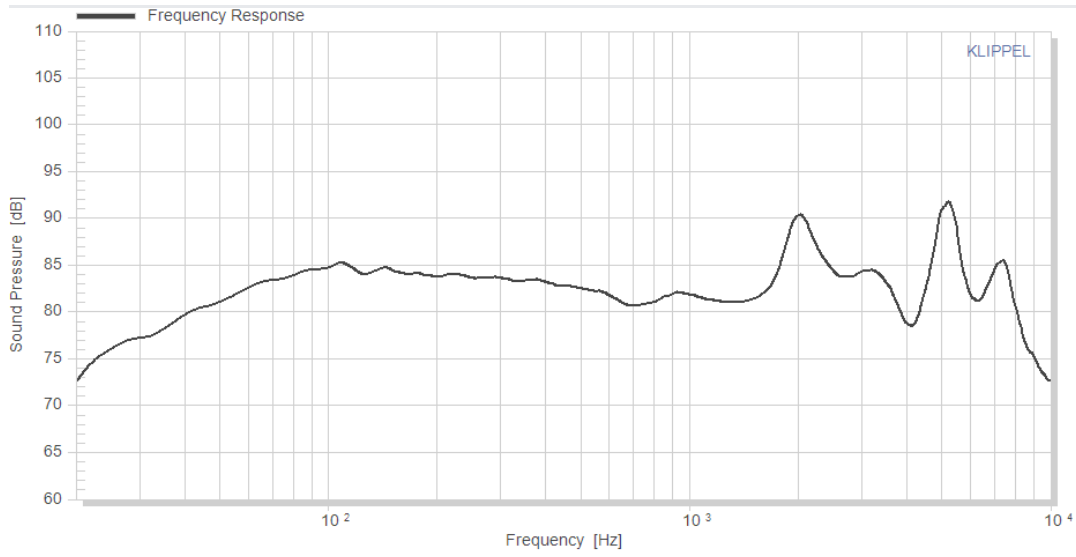
**THIELE SMALL PARAMETERS**

Specification		Value	Unit
Sensitivity (2.83V / 1m)	Spl	84	dB
DC-resistance	Re	8.6	Ohm
Resonance frequency	Fs	33.4	Hz
Equivalent volume of air	Vas	26.7	ltr
Mechanical Q	Qms	4.75	
Electrical Q	Qes	0.49	
Total Q	Qts	0.44	
Effective piston area	Sd	202	Cm <sup>2</sup>
Moving mass	Mms	49.4	g
Suspension compliance	CMs	0.46	mm/n
Mechanical resistance	Rms	2.18	Kg*s

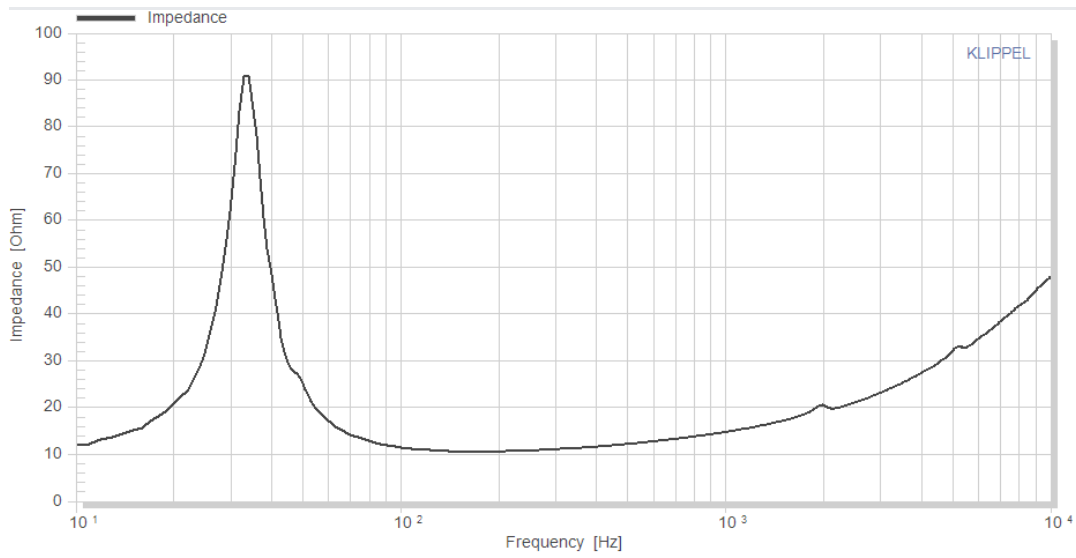
**VOICE COIL PARAMETERS**

Specification		Value	Unit
Power handling	P	250	W
Linear excursion	Xmax	+/-9	mm
Voice coil diameter		75	mm
Voice coil former material		Ti	
Voice coil material		CCAW	
Voice coil inductance	Le	1.05	mH
Force factor	Bl	13.5	N/A
Motor type		Overhung	
Ferrofluid filling		No	

### FREQUENCY RESPONSE [DB]



### IMPEDANCE [OHM]



### DISTORTION [%]

