

AS250-8-552*

CELL ALUMINIUM-SANDWICH BASS

The **AS250-8-552** is an 11 inch bass driver with **ALUMINUM HONEYCOMB SANDWICH DOME**, being the first in an entirely new approach to accuton speaker design. An ideal acoustical center has been achieved, which is identical with our **CELL** tweeters and midranges. Its novel designed overhung motor combines the advantages of traditional over- and underhung designs, delivering high linear excursion and ultra low distortion. An exceptionally hard aluminum sandwich dome was developed for the **CELL** bass drivers that allows for negligible delay and energy storage. The hidden surround serves for reduced outer diameter and linear excursion of +/- 16mm. A new developed spider shape makes huge excursion without compression possible.

We recommend our **AS250-8-552** for an application from 20 Hz - 600 Hz.

VENTED BOX DESIGN PARAMETERS

Vb: 60L, Port diameter: 100mm, Length: 440mm, Fres: 27Hz, F-3dB: 30Hz, Q: 0.58 (optimal)

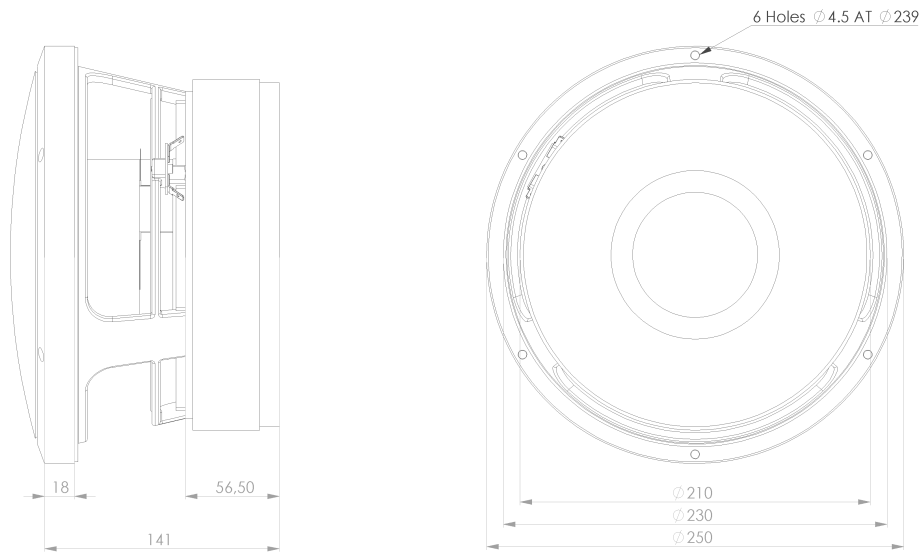
Vb: 80L, Port diameter: 100mm, Length: 280mm, Fres: 28Hz, F-3dB: 28Hz, Q: 0.50 (extended bass)

CLOSED BOX DESIGN PARAMETERS

Vb: 30L, -9dB @ 30Hz, F-3dB: 51Hz, Q: 0.71 (typical)

Vb: 80L, -7dB @ 30Hz, F-3dB: 55Hz, Q: 0.50 (extended bass)

* also available as 6 Ω Version



PARAMETER	VALUE
OVERALL DEPTH	141 MM
MOTOR ASSEMBLY DEPTH	56.5 MM
MOTOR ASSEMBLY DIAMETER	210 MM

MAIN FEATURES

- Full featured cell concept
- Ideal acoustic center
- No compression design
- Proprietary motor system
- 20 HZ - 600 HZ in vented Box

MECHANICAL DATA

Specification	Value	Unit
Overall diameter	250	mm
Cutout diameter	230	mm
Min. frontplate thickness	18	mm
Overall depth	141	mm
Motor assembly depth	56.5	mm
Motor assembly diameter	210	mm
Screwfitting	DIN 7984 / Ø 4.50	mm
Terminal	+: 6.3 x 0.8 / -: 4.8 x 0.8	mm
Shipping weight (pair)	23	Kg
Shipping box size (pair)	320/320/450	mm

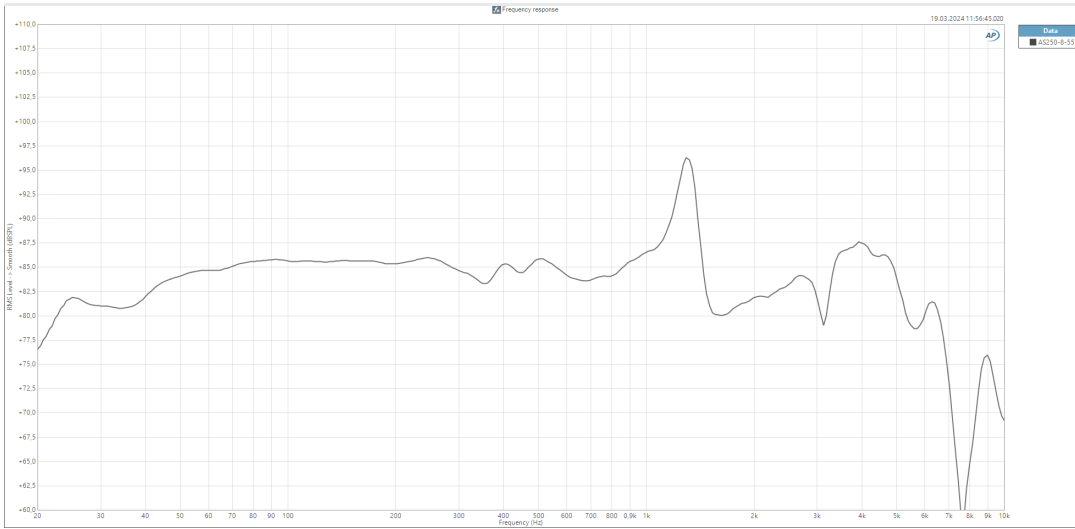
THIELE SMALL PARAMETERS

Specification		Value	Unit
Sensitivity (2.83V / 1m)	Spl	87	dB
DC-resistance	Re	7.30	Ohm
Resonance frequency	Fs	20,31	Hz
Equivalent volume of air	Vas	155,55	ltr
Mechanical Q	Qms	3,80	
Electrical Q	Qes	0.38	
Total Q	Qts	0.35	
Effective piston area	Sd	397,61	Cm2
Moving mass	Mms	88,55	g
Suspension compliance	CMs	0.69	mm/n
Mechanical resistance	Rms	2.98	Ns/m

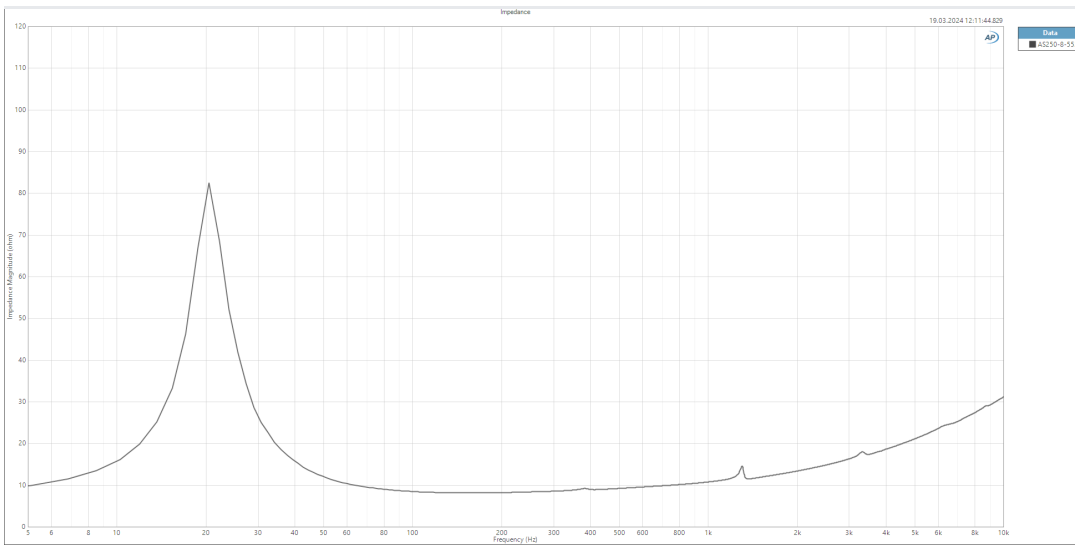
VOICE COIL PARAMETERS

Specification		Value	Unit
Power handling	P	300	W
Linear excursion	Xmax	+/-9	mm
Voice coil diameter		114	mm
Voice coil former material		Ti	
Voice coil material		Cu	
Voice coil inductance	Le	0.42	mH
Force factor	Bl	14.70	Tm
Motor type		Overhung	
Ferrofluid filling		No	

FREQUENCY RESPONSE [DB]



IMPEDANCE [OHM]



DISTORTION [%]

