



C220-6-221*

CERAMIC BASS-MIDRANGE

VENTED BOX DESIGN PARAMETERS

Vb: 51L, Port diameter: 70mm, Length: 265mm, Fres: 26.5Hz, F-3dB: 34Hz, Q: 0.58 (optimal)

Vb: 83L, Port diameter: 70mm, Length: 110mm, Fres: 29Hz, F-3dB: 28Hz, Q: 0.50 (extended bass)

Vb: 43L, Port diameter: 70mm, Length: 220mm, Fres: 31Hz, F-3dB: 35Hz, Q: 0.61 (0.7dB Ripple @ 50Hz)

CLOSED BOX DESIGN PARAMETERS

Vb: 29L, -6dB @ 40Hz, -19dB @ 20Hz, F-3dB: 50Hz, Q: 0.71 (typical)

Vb: 83L, -4.5dB @ 40Hz, -13dB @ 20Hz, F-3dB: 60Hz, Q: 0.50 (extended bass)

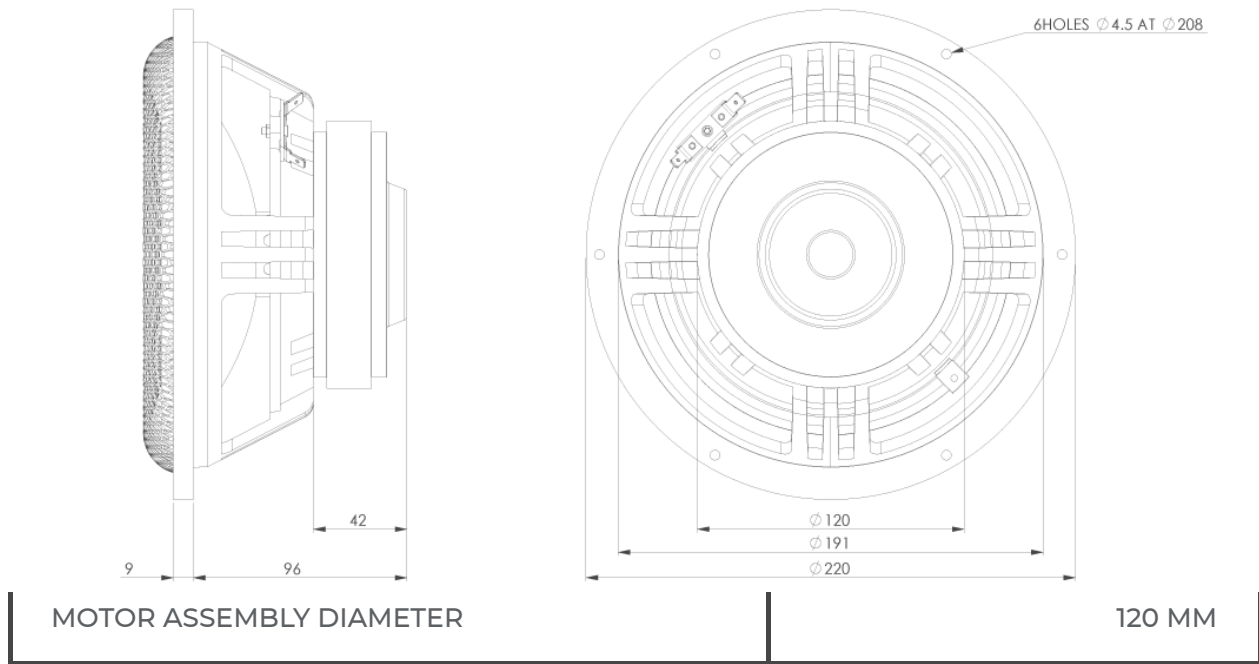
HIGHLIGHTS

8.5 inch bass-midrange for 2 or 3-way floorstanders.

Medium sized voice coil with 38mm titanium voice coil former for high midrange resolution.

Version with 6 OHM impedanz

* also available as 11 Ω Version



MAIN FEATURES

- Overhung Motor Design
- 38 mm Titanium VC Former
- Soft Rubber Surround
- Vented VC, Pole Piece & Spider
- 32 HZ - 2 KHZ in vented Box

MECHANICAL DATA

Specification	Value	Unit
Overall diameter	220	mm
Cutout diameter	191	mm
Min. frontplate thickness	9	mm
Overall depth	105	mm
Motor assembly depth	42	mm
Motor assembly diameter	120	mm
Screwfitting	DIN 7984 / Ø 4.50	mm
Terminal	+: 6.3 x 0.8 / -: 4.8 x 0.8	mm
Shipping weight (pair)	6.6	Kg
Shipping box size (pair)	250/290/250	mm

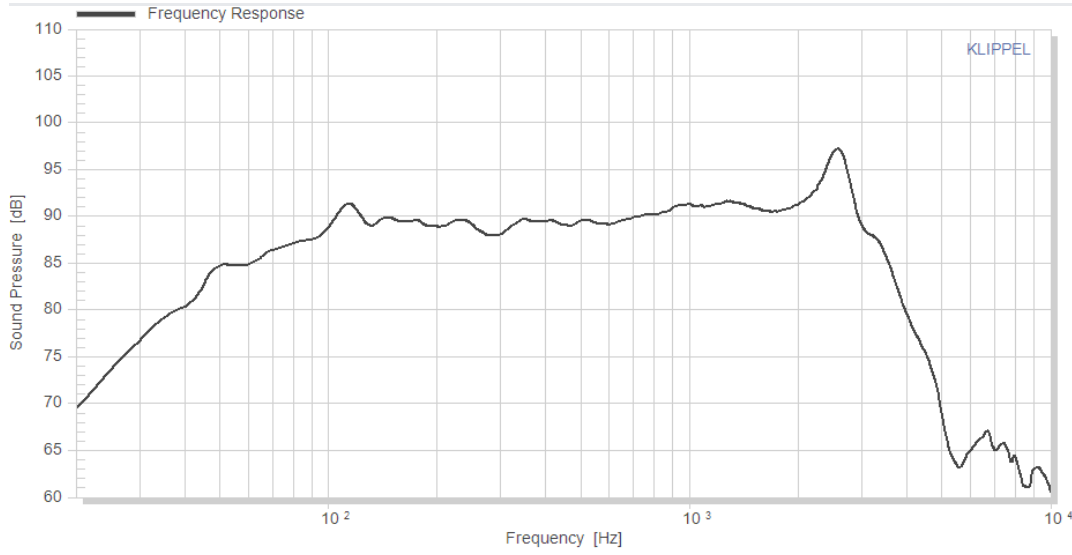
THIELE SMALL PARAMETERS

Specification		Value	Unit
Sensitivity (2.83V / 1m)	Spl	88	dB
DC-resistance)	Re	6.3	Ohm
Resonance frequency	Fs	26.3	Hz
Equivalent volume of air	Vas	86.2	ltr
Mechanical Q	Qms	7.1	
Electrical Q	Qes	0.42	
Total Q	Qts	0.40	
Effective piston area	Sd	224	Cm2
Moving mass	Mms	30.4	g
Suspension compliance	CMs	1.20	mm/n
Mechanical resistance	Rms	0.71	Kg*s

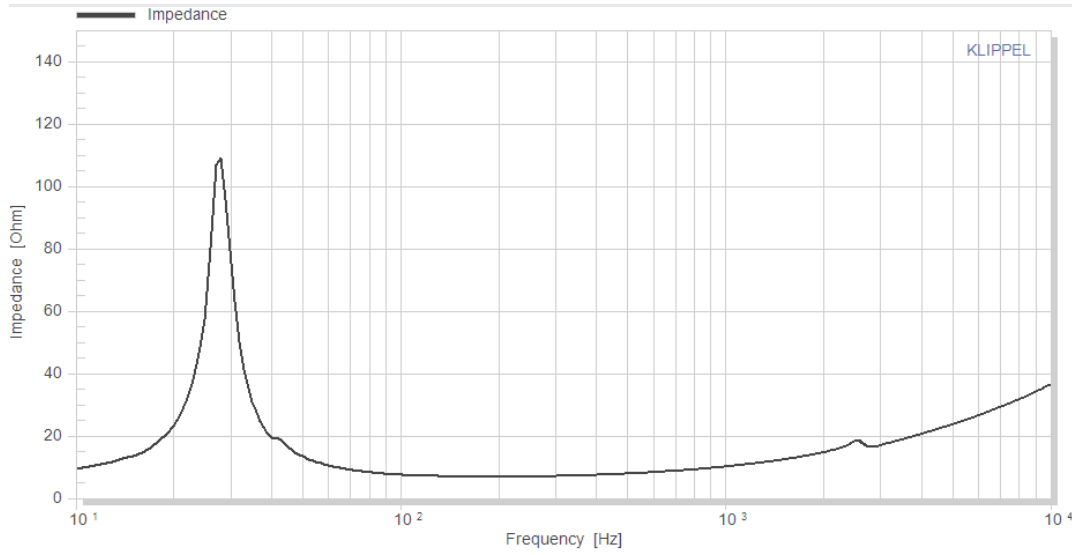
VOICE COIL PARAMETERS

Specification		Value	Unit
Power handling	P	150	W
Linear excursion	Xmax	+/-5	mm
Voice coil diameter		38	mm
Voice coil former material		Ti	
Voice coil material		Cu	
Voice coil inductance	Le	0.83	mH
Force factor	Bl	8.7	N/A
Motor type		Overhung	
Ferrofluid filling		No	

FREQUENCY RESPONSE [DB]



IMPEDANCE [OHM]



DISTORTION [%]

