



NEW

The Latest Build-It-Yourself Speaker Kit From PBN Audio

SEAS CX871

by PBN Audio

This latest in the highly prized line of speaker kits from **PBN Audio** is poised to earn major attention within the home electronics community – and rightly so. Featuring two superlative drivers from **SEAS**, an international leader in high-end sound systems, these elegantly simple yet aesthetically refined speakers define the most basic premise of stereophonic excellence: *It's all about what you hear.* PBN Audio has devoted decades of engineering prowess to designing systems that completely serve the music. The **CX871** delivers on that promise, with truly attractive pricing. Everything is included, along with full instructions and tech support.



SEAS Crossovers: *The advanced electronics of the CX871 are the heart of the system. All elements meet the highest standards.*



Recommended internal crossover parts if bought separately. For those wishing to build their own cabinets, these drivers and crossovers can be purchased through www.madisound.com for **\$1,590**.

If you prefer, a completed pair of assembled and tested speakers is available through PBN for **\$5,999**.

Price does not include shipping costs, which will vary.



SEAS Drivers:

H1699 7" Midrange Coaxial Loudspeaker (top) with pre-coated reed-paper cone. The cone acts as a horn loading for the tweeter in this amazingly compact driver, providing superbly balanced sound.

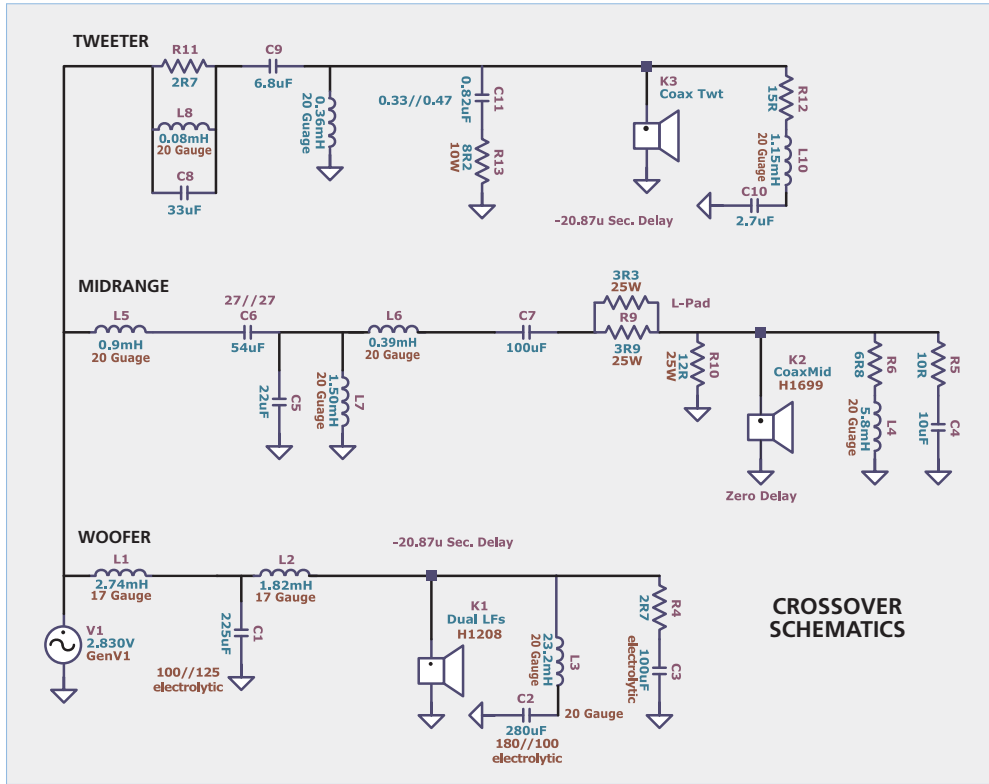
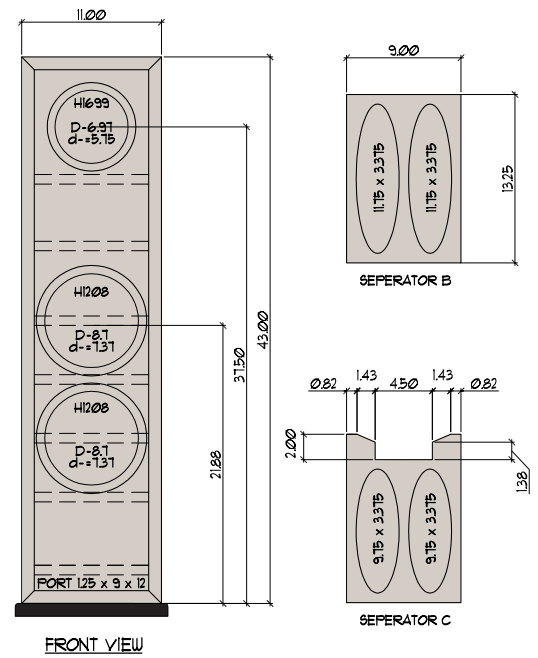
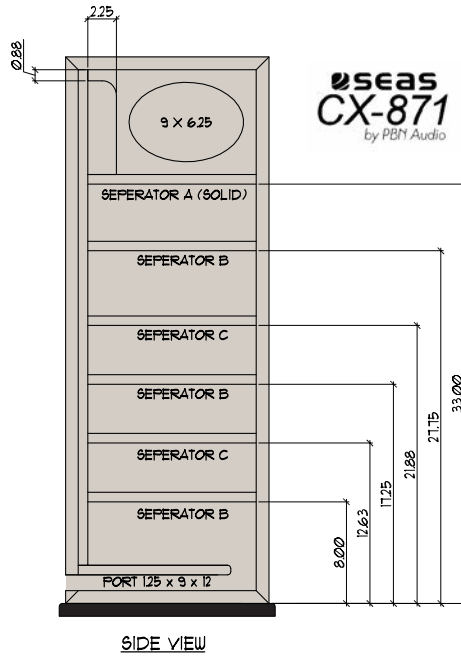
H1208 8" Aluminum Cone Woofer features 4-layer, high-temperature voice coil. Extremely "stiff" driver with great bass precision. Two per speaker.

The CX871 Cabinet features genuine hardwood veneer (Zebrawood shown), and is hand-finished with PBN's exclusive LiquidVelvet™ finish. Each pre-assembled speaker comes with a fabric grille (left) which snaps on or off.

Another Innovation From



www.pbnaudio.com



CX871 TECHNICAL SPECIFICATIONS

Driver Complement:
H1208 – LF 2" x 8" Aluminum Cone Woofers
H1699 – MF 1" x 7" Reedcone Coaxial Driver. HF 1" x 1" Fabric Dome Coaxially mounted in MF Center

Sensitivity:
 90dB/2.83V/1M

Impedance:
 Nominal 4 ohms (min 3.1 Ohm @ 260Hz)
 Max 11 Ohm @3240Hz)

Electrical Phase Angle:
 +20 Degrees -25Degrees

Crossover Points:
 300Hz and 2100Hz @ 24dB Oct LR

Cabinet Dimensions:
 44" H x 11" W x 16" D

Net Weight:
 120 lbs.

