



## S220-6-222\*

### SANDWICH BASS

#### VENTED BOX DESIGN PARAMETERS:

Vb: 30L, Fres: 23Hz with passive radiator, -12dB @ 25Hz, Q: 0.47 (optimal A/V alignment)

Vb: 25L, Port diameter: 70mm, Length: 230mm, Fres: 40Hz, F-3dB: 43Hz, Q: 0.50

Vb: 40L, Port diameter: 70mm, Length: 155mm, Fres: 37Hz, F-3dB: 37Hz, Q: 0.43 (extended bass)

#### CLOSED BOX DESIGN PARAMETERS:

Vb: 12L, -11dB @ 40Hz, F-3dB: 69Hz, Q: 0.71 (typical)

Vb: 25L, -8dB @ 40Hz, F-3dB: 70Hz, Q: 0.50 (extended bass)

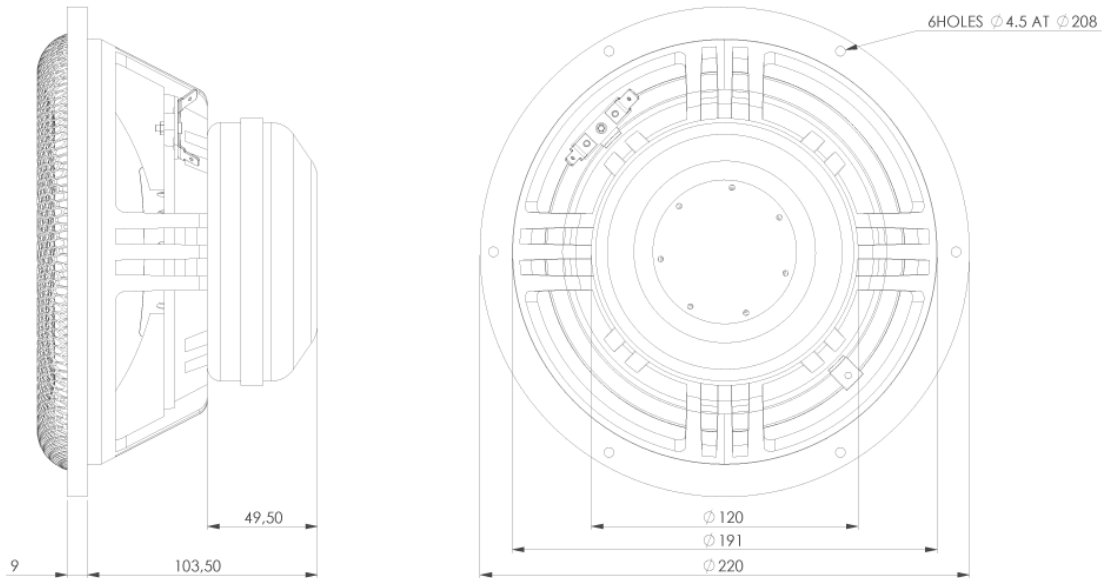
#### HIGHLIGHTS

8.5 inch sandwich cone bass with high efficiency for 2 or 3-way designs.

Large sized voice coil with 55mm titanium voice coil former.

Big, underhung 120mm Neodymium magnet system for very low distortion.

\* also available as 12  $\Omega$  Version



MOTOR ASSEMBLY DIAMETER	120 MM
-------------------------	--------

**MAIN FEATURES**

- underhung motor design
- 55mm Titanium VC Former
- Soft Rubber Surround
- Vented VC, Pole Piece & Spider
- 31 HZ - 1 KHZ in ventilierter Box

**MECHANICAL DATA**

Specification	Value	Unit
Overall diameter	220	mm
Cutout diameter	191	mm
Min. frontplate thickness	9	mm
Overall depth	112.5	mm
Motor assembly depth	49.5	mm
Motor assembly diameter	120	mm
Screwfitting	DIN 7984 / Ø 4.50	mm
Terminal	+: 6.3 x 0.8 / -: 4.8 x 0.8	mm
Shipping weight (pair)	9.5	Kg
Shipping box size (pair)	250/290/250	mm

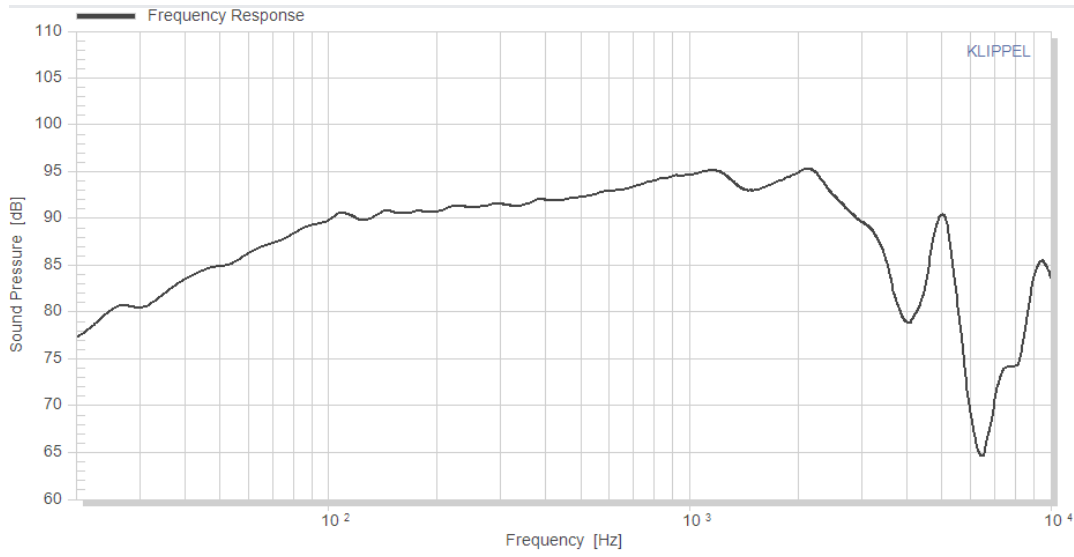
**THIELE SMALL PARAMETERS**

Specification		Value	Unit
Sensitivity (2.83V / 1m)	Spl	91.5	dB
DC-resistance	Re	6.52	Ohm
Resonance frequency	Fs	25	Hz
Equivalent volume of air	Vas	89.68	ltr
Mechanical Q	Qms	3.83	
Electrical Q	Qes	0.27	
Total Q	Qts	0.26	
Effective piston area	Sd	224	Cm2
Moving mass	Mms	32.15	g
Suspension compliance	CMs	1.26	mm/n
Mechanical resistance	Rms	1.32	Kg*s

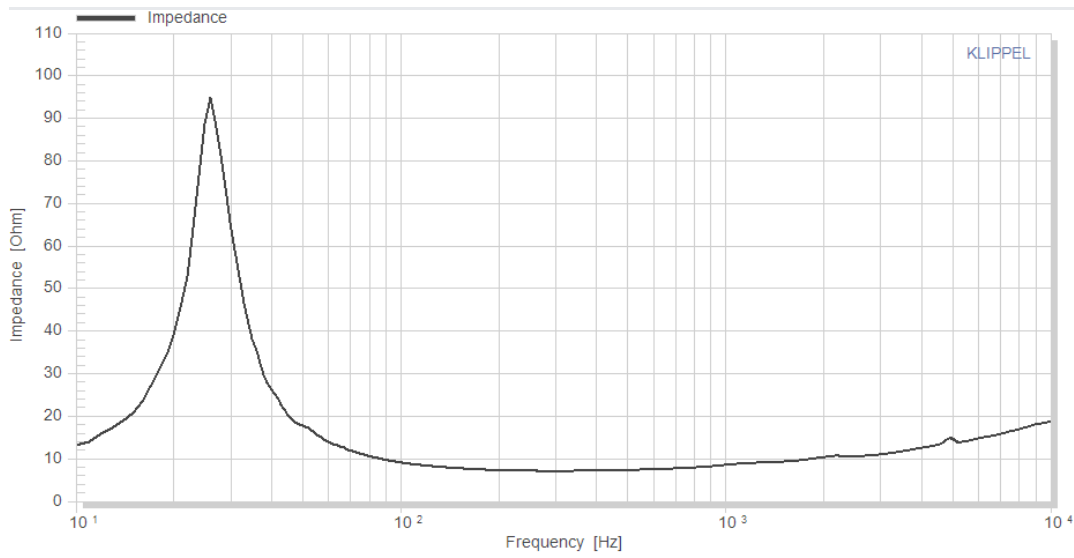
**VOICE COIL PARAMETERS**

Specification		Value	Unit
Power handling	P	150	W
Linear excursion	Xmax	+/-5.25	mm
Voice coil diameter		55	mm
Voice coil former material		Ti	
Voice coil material		Cu	
Voice coil inductance	Le	0.36	mH
Force factor	Bl	10.95	N/A
Motor type	Underhung		
Ferrofluid filling		No	

### FREQUENCY RESPONSE [DB]



### IMPEDANCE [OHM]



### DISTORTION [%]

