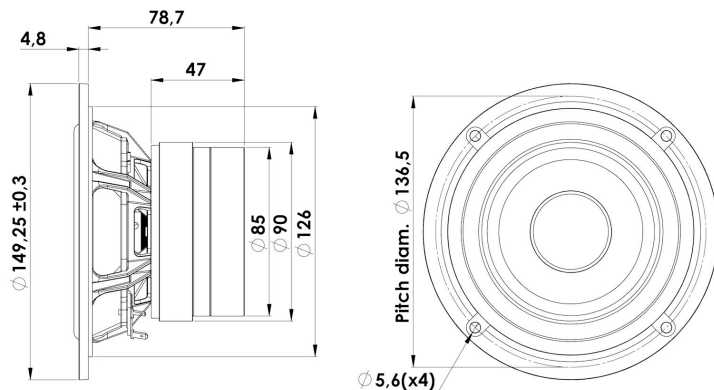




MIDWOOFER

15W/4524T02

The LIMITED EDITION midwoofer, are based on well known designs from our Discovery line, optimized and improved with technology features normally only seen in very exclusive products, allowing you to build outstanding loudspeakers at reasonable pricing.



KEY FEATURES:

- Light weight Fiber glass cone and dust cap
- Voice coil with copper wire and titanium bobbin
- Alu shorting ring and copper cap
- Backside coated NRSC cone
- Powerfull magnet system, double ferrite magnets
- Extra long excursion

T-S Parameters

Resonance frequency [fs]	44 Hz
Mechanical Q factor [Qms]	4.8
Electrical Q factor [Qes]	0.32
Total Q factor [Qts]	0.3
Force factor [Bl]	5.2 Tm
Mechanical resistance [Rms]	0.58 kg/s
Moving mass [Mms]	9.9 g
Compliance [Cms]	1.3 mm/N
Effective diaph. diameter [D]	101 mm
Effective piston area [Sd]	80 cm ²
Equivalent volume [Vas]	11.5 l
Sensitivity (2.83V/1m)	89.5 dB
Ratio Bl/√Re	2.9 N/√W
Ratio fs/Qts	147 Hz

Notes:

IEC specs. refer to IEC 60268-5 third edition.
All Scan-Speak products are RoHS compliant.
Data are subject to change without notice.
Datasheet updated: September 14, 2016

Electrical Data

Nominal impedance [Zn]	4 Ω
Minimum impedance [Zmin]	3.7 Ω
Maximum impedance [Zo]	45 Ω
DC resistance [Re]	3.2 Ω
Voice coil inductance [Le]	0.2 mH

Power Handling

100h RMS noise test (IEC 17.1)	60 W
Long-term max power (IEC 17.3)	120 W

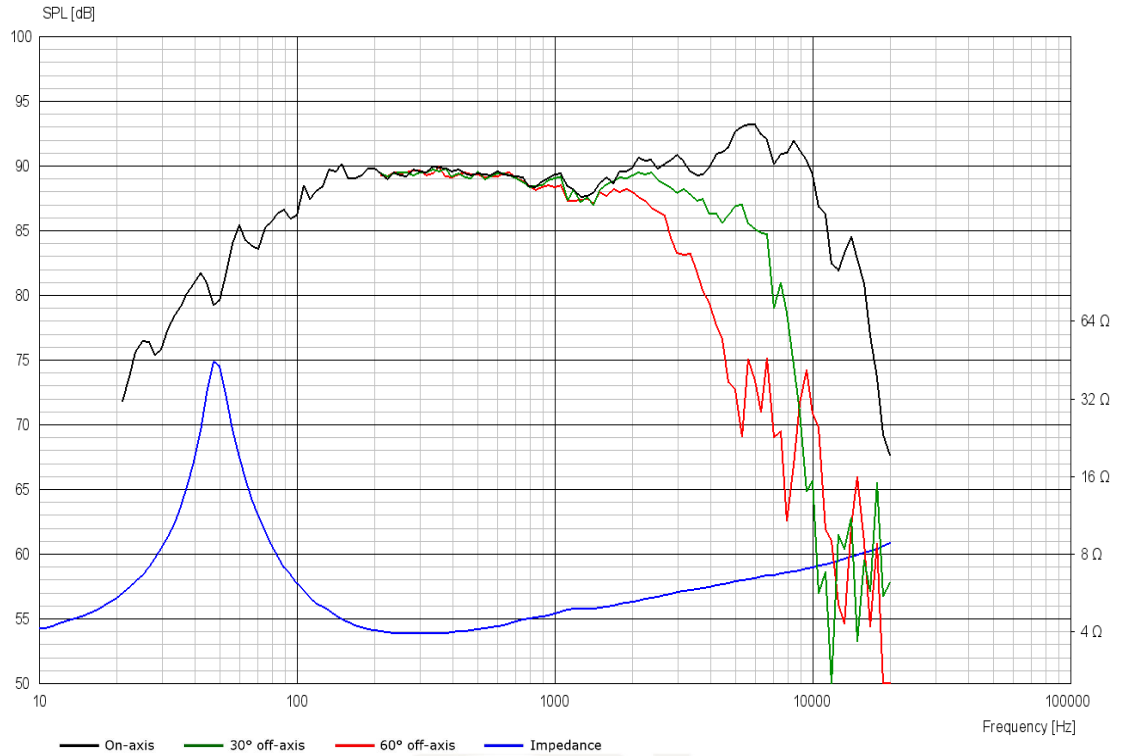
Voice Coil & Magnet Data

Voice coil diameter	26 mm
Voice coil height	14.3 mm
Voice coil layers	2
Height of gap	4 mm
Linear excursion	± 5.2 mm
Max mech. excursion	± 8 mm
Unit weight	1.6 kg

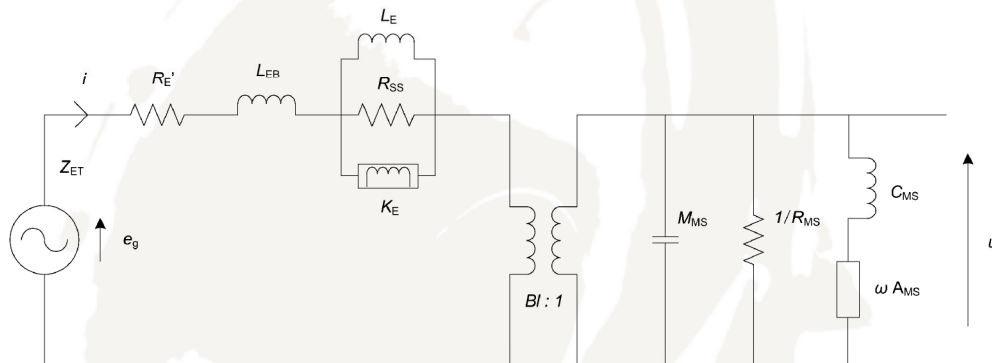


MIDWOOFER

15W/4524T02



Advanced Parameters (Preliminary)



Electrical data

Resistance [$R_{E'}$]	Ω
Free inductance [L_{EB}]	mH
Bound inductance [L_E]	mH
Semi-inductance [K_E]	SH
Shunt resistance [R_{SS}]	Ω

Mechanical Data

Force Factor [BI]	Tm
Moving mass [M_{MS}]	g
Compliance [C_{MS}]	mm/N
Mechanical resistance [R_{MS}]	kg/s
Admittance [A_{MS}]	mm/N