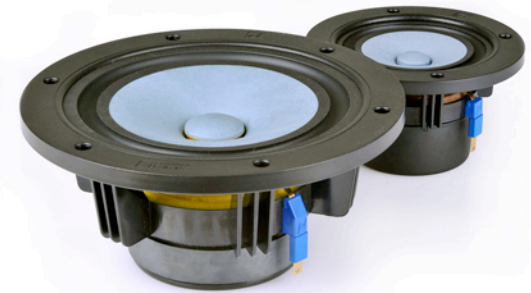
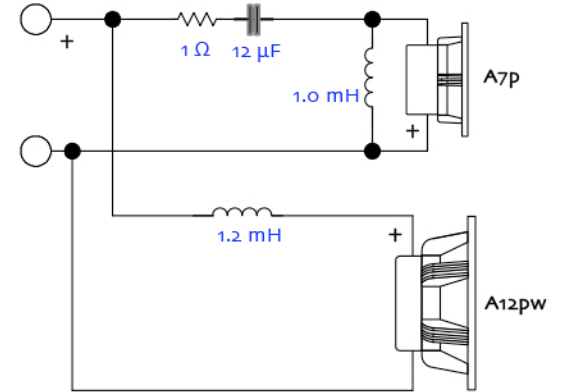


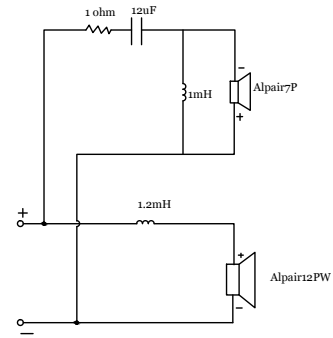
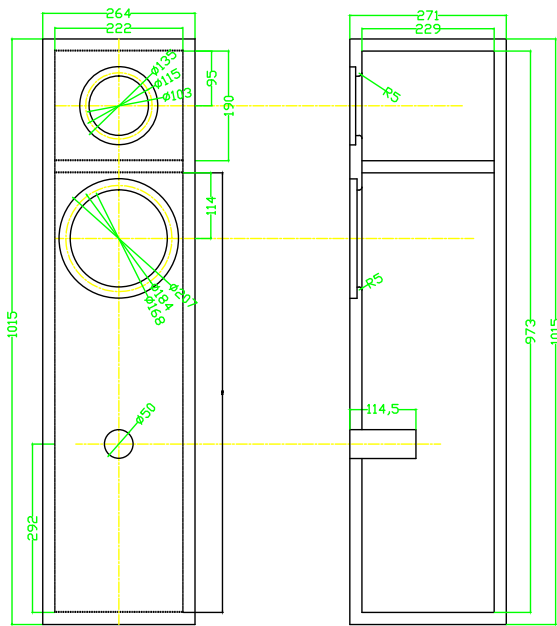
## Simple 2-way | Alpair 7p + 12pw

designed by S Lindgren drawn by dld  
 04-september-2014  
 ©2010-2014 Markaudio All rights reserved  
 NOT for commercial use without prior  
 written approval from Markimage Limited



### Notes:

- 0/ drawing uses 18 mm. Quality multi-ply recommended
- 1/ line all internal walls with suitable damping material
- 2/ use A7.x, A12.x drawings for driver cutoit dimensions
- 3/ bracing is optional, do account for bracing volume if used.
- 4/ be prepared to modify the filter circuit to suit personal taste and room environments Use better quality filter components, apply low DCR inductors
- 5/ Pre-thread pilot holes before mounting the drivers. Don't use power-screwdrivers to install the drivers, hand tool only, gentle tighten only.



**Note:**

- Simple 2 -way box design for Alpair 7P and Alpair 12PW
1. Fit 7P into upper sealed chamber, line all internal walls with suitable damping material. Place 12PW in lower chamber, line all internal walls with suitable damping material. Use 21mm thick laminated plywood, or MDF if ply isn't available. Add bracing to suit. Be prepared to modify the filter circuit to suit personal taste and room environments.
  2. Pre-thread pilot holes before mounting the drivers. Don't use power-screwdrivers to install the drivers, hand tool only, gentle tighten only.
  3. Use better quality filter components, apply low DCR inductors (solid core and similar). Design is suitable for bi-amping.

Update	Update detail	Date
<b>Markaudio</b> 马克音响		<b>Model:</b> 7P+12PW (2-way)
Tolerance : +/-0.2mm		Unit: mm
Design By: Dr. Scott L Made By: Evan Checked By: Mark Date: 2014.09.05 Version: v1		