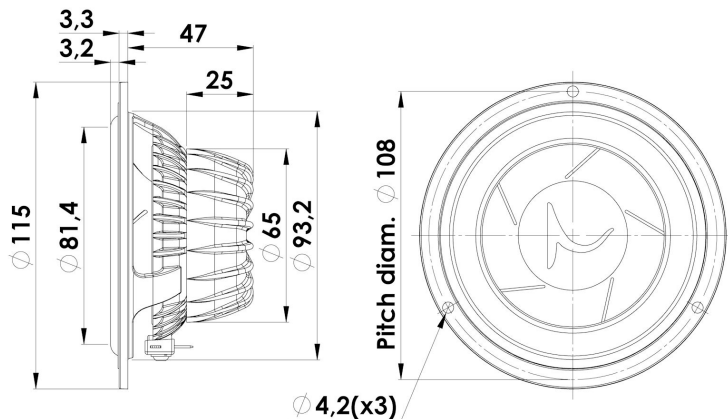




MIDRANGE

11M/4631G05

The GOLD SERIES are specially selected units from Scan-Speak's well-known home audio speakers. Which have been upgraded and optimized for automotive use. This series enables audiophiles to experience in their vehicle the - TRUE TO LIVE - that they enjoy from their high-end home audio system.



KEY FEATURES:

- Sliced Paper Cone
- Low-Loss Linear Suspension
- High Grade Neo Magnet
- Compact Neodymium Magnet System
- Robust Alu Chassis
- Protective Magnet Cup with Grill over Pole Vent

T-S Parameters

Resonance frequency [fs]	68 Hz
Mechanical Q factor [Qms]	4.54
Electrical Q factor [Qes]	0.33
Total Q factor [Qts]	0.31
Force factor [Bl]	5.5 Tm
Mechanical resistance [Rms]	0.67 kg/s
Moving mass [Mms]	7.1 g
Compliance [Cms]	0.77 mm/N
Effective diaph. diameter [D]	80 mm
Effective piston area [Sd]	50 cm ²
Equivalent volume [Vas]	2.7 l
Sensitivity (2.83V/1m)	90 dB
Ratio Bl/√Re	3.03 N/√W
Ratio fs/Qts	219 Hz

Notes:

IEC specs. refer to IEC 60268-5 third edition.
All Scan-Speak products are RoHS compliant.
Data are subject to change without notice.
Datasheet updated: March 8, 2017.

Electrical Data

Nominal impedance [Zn]	4 Ω
Minimum impedance [Zmin]	3.6 Ω
Maximum impedance [Zo]	43 Ω
DC resistance [Re]	3.3 Ω
Voice coil inductance [Le]	0.06 mH

Power Handling

100h RMS noise test (IEC 17.1)*	40 W
Long-term max power (IEC 17.3)*	70 W

*Filter: 2. order HP Butterworth, 200 Hz

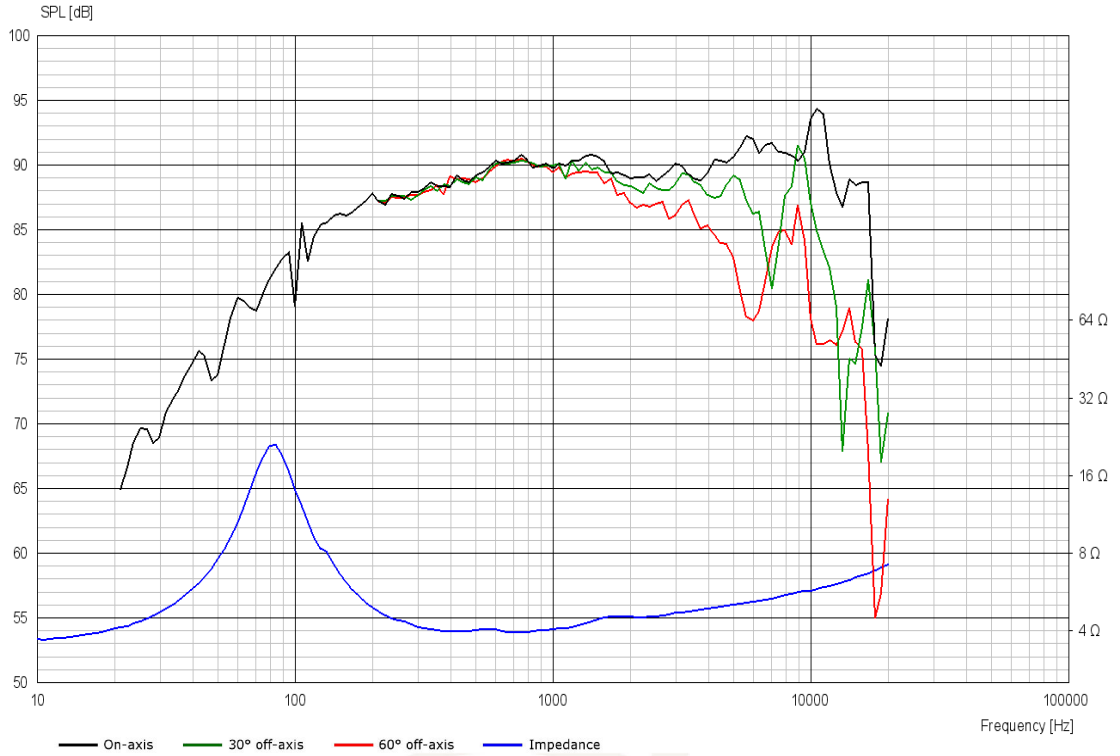
Voice Coil & Magnet Data

Voice coil diameter	38 mm
Voice coil height	10 mm
Voice coil layers	2
Height of gap	4 mm
Linear excursion	± 3 mm
Max mech. excursion	± 7 mm
Unit weight	0.6 kg

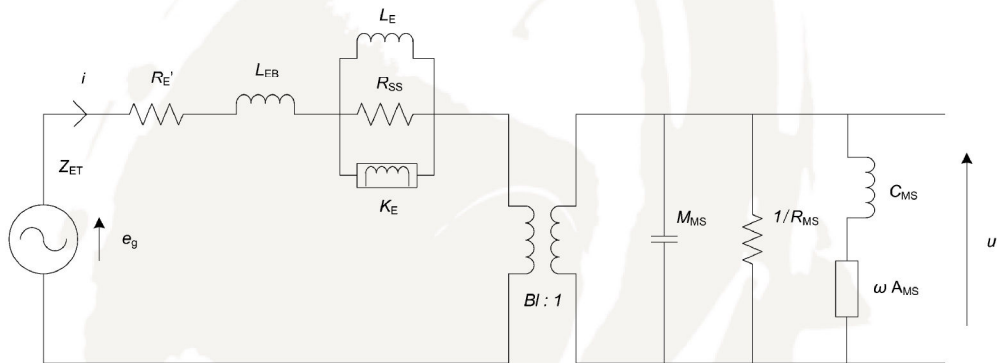


MIDRANGE

11M/4631G05



Advanced Parameters (Preliminary)



Electrical data

Resistance [$R_{E'}$]	- Ω
Free inductance [L_{EB}]	- mH
Bound inductance [L_E]	- mH
Semi-inductance [K_E]	- SH
Shunt resistance [R_{SS}]	- Ω

Mechanical Data

Force Factor [BI]	- Tm
Moving mass [M_{MS}]	- g
Compliance [C_{MS}]	- mm/N
Mechanical resistance [R_{MS}]	- kg/s
Admittance [A_{MS}]	- mm/N